

Quality is more than a word

ESPEC

Compact Ultra Low Temperature Chamber

MC-712R·812R



High performance and reliability come in a compact package, covers wide range of temperature testing needs, from ultra-low temperature -85°C to high temperature $+180^{\circ}\text{C}$.

Thanks to N-Instrumentation, now it's available Ethernet connection, which allows you to control and monitor the chamber remotely, from a pc via web browser.

The new designed 36 percent larger square shape frost free window, made from multi layer glass with heater gives you superior visibility.

MC-812R



Characteristics

● Wide temperature range

Two models are available: a chamber with a temperature range from -85°C to $+180^{\circ}\text{C}$ and a chamber with a temperature range from -75°C to $+100^{\circ}\text{C}$. They can be used for various purposes including temperature characteristic testing and low temperature storage testing.



Test area

● Remote monitoring and control (Ethernet connection)

By adding optionally available “Ethernet Port (LAN Port)”, you can connect the chamber to your local area network. By doing so, you can control and monitor the chamber from any computer on the network, using a web browser. You can program test patterns, start and stop the operation without you actually being at the site.

* This operation can only be performed when the power breaker is “ON”



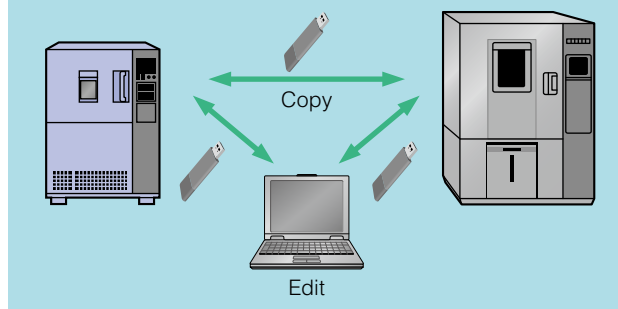
USB memory port

● Using sampling data

Sampling data (temperature set point and process value) can be copied via a USB memory device or recorded directly. It is also possible to copy program patterns between chambers without using a PC, enabling effective use of data.

* USB memory is not included.

● Program copy and computer editing



● Editing program patterns and displaying graphs

The program patterns registered in the test chamber can be edited via web browser and sampling data can be displayed as graphs.

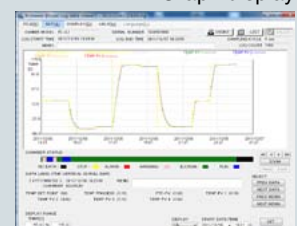
Using the PC application software “Pattern Manager Lite”*, program patterns on a PC can be edited, displayed as graphs or output as CSV data even if offline.

● Web browser

Program editing

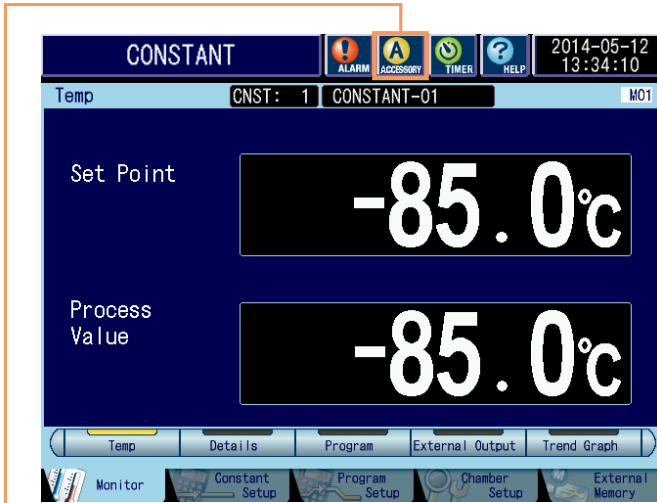


Graph display



*The Pattern Manager Lite software can be downloaded from the Test Navi website. See page 4.

Characteristics



Information



Tabbed user interface

Provides high resolution and fast display. Tabs at the bottom of the screen make it easy to activate any section.

Register test patterns

Up to 40 program operation setting with maximum of 99 steps and 3 constant operation settings can be registered.

Trend graph output

Trend graphs are displayed in the screen and recorded in the internal memory according to set conditions. Data can be also recorded directly onto USB memory for backup purposes. Measurement intervals and other conditions are capable to change.

Information

The information section shows information on the chamber status. Messages displayed according to operating timer inform you of maintenance checks. It is also possible to register and use additional notification items.

Supported languages

A simple operation changes display text to English or Russian.

N-Instrumentation

Operating mode	Constant operation, program operation, (Optional) remote operation, stop
Setting range	Constant setup 3 patterns Program setup 40 patterns (99 steps per program)
Language	English, Russian (switch without restarting)
External memory function	<ul style="list-style-type: none"> Interface USB 2.0 standard compliant (A-type connector) Supported functions Write log, Read/Write program (application software: Pattern Manager Lite), write backtrace
I/O	<ul style="list-style-type: none"> Interface RS-485
Web function (Optional)	<ul style="list-style-type: none"> Interface Ethernet port (100base-TX) Web application Monitor, setting operation, data collection, e-mail notification Browser Windows Internet Explorer 10

Characteristics

● Backtrace function

When the chamber stops because of trouble, the operation status just before the chamber stops is automatically recorded and saved. Saved data can be transferred by USB memory.

E-mail the data to ESPEC, and to be provided troubleshooting.



Backtrace setting

● Download test profiles from Test Navi

ESPEC's reliability test information website, "Test Navi" complies with various test standards for environmental testing. It is possible to download program patterns of various test standards and paste them on to your chamber, or edit them using the Pattern Manager Lite.

● Test Navi (<http://www.test-navi.com/eng/index.html>)

This website provides practical knowledge on environmental testing that ESPEC has acquired through years of experience, as well as covering everything from the fundamentals to the latest information on environmental and reliability testing.



- Updates for product software
- Search for environmental test standards



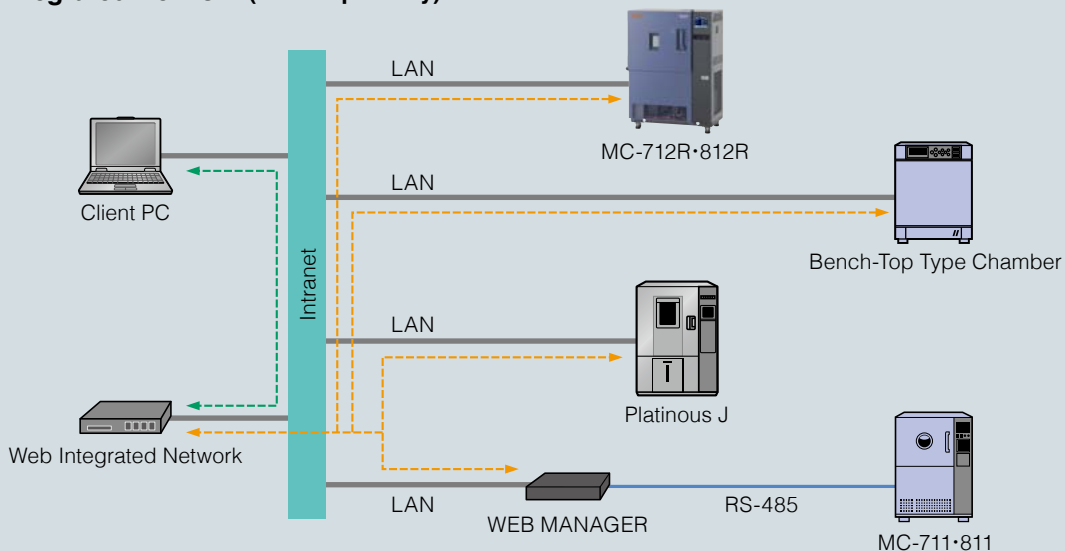
- Download test profiles from a list of environmental test standards

● Web Integrated Network (Sold separately)

It is possible to check the status of multiple chambers from a single screen (up to 100 chambers, web-compatible devices only). This equipment includes a scheduler ideal for test management.

*Please ask us for compatibility with other devices.

Web Integrated Network (Sold separately)



SPECIFICATIONS

Model	MC-712R	MC-812R	
System	Balanced Temperature Control system (BTC system)		
Performance *1	Temp. range	-75 to +100°C (-103 to +212°F)	-85 to +180°C (-121 to +356°F)
	Temp. fluctuation	±0.5°C	±0.5°C: at -85 to +100°C ±1.0°C: at +100.1 to +180°C
	Temp. gradient / Temp. variation in space	4.0°C	4.0°C: at -85 to +100°C 8.0°C: at +100.1 to +180°C
	Temp. rate of change	Heat up rate: 7.0°C /min. Pull down rate: 1.7°C /min.	Heat up rate: 5.5°C /min. Pull down rate: 2.2°C /min.
	Temp. extreme achievement time *2	Heat up time: +20→+100°C Approx. 20 min. Pull down time: +20→-70°C Approx. 60 min.	Heat up time: +20→+180°C Approx. 30 min. Pull down time: +20→-80°C Approx. 70 min.
Heater	Nichrome-strip wire heater 1 kW		
Cooler	Plate-fin cooler		
Refrigeration system	Mechanical cascade refrigeration system (air-cooled condenser)		
Refrigerator	Hermetically sealed compressor (R404A/ R508A)		
Expansion mechanism	Capillary tube system		
Fittings	Viewing window (W107×H120 mm with frost prevention heater), Cable port (ø50 mm×1), Power cable (about 3.0 m), Drain tube (0.5 m), USB memory port, Specimen power supply control terminal, RS-485 interface		
Capacity	64L		
Inside dimensions	W400×H400×D400 mm (W15.7×H15.7×D15.7 in.)		
Outside dimensions *3	W900×H1200×D610 mm (W35.4×H47.2×D24.0 in.)		
Weight	165kg		
Power supply	200V AC 3ø 3W 50/60Hz	12A	14A
	220V AC 3ø 3W 60Hz	12A	14A
	380V AC 3ø 4W 50Hz	8.3A	9.2A
Allowable ambient conditions	0 to +40°C		

*1 The performance values are based on IEC60068-3-5:2001, JTM K07:2007 for ambient temperature +23°C, related humidity 65%rh, rated voltage, and no specimen.

*2 Temperature extreme achievement time accuracy is within Max. +10% due to power frequency change.

*3 Excluding protrusions.

ACCESSORIES

- Shelf (stainless).....2
- Shelf brackets (stainless).....2 sets
- Cable port rubber plug (ø50 mm).....1
- Chamber lamp.....1
- Glass tube fuse.....1 (250V AC 3A), 2 (250V AC 5A)
- Thermal fuse.....1
- User's manual (CD).....1

SAFETY DEVICES

- Leakage breaker for power supply (for 200/220V AC only)
- Circuit breaker (for 380V AC only)
- Control circuit overload & short circuit protective fuse
- System error
- Room temperature compensation burnout detection circuit.
- Dry bulb temperature burnout detection circuit
- Temperature switch for air circulator
- Thermal fuse
- Refrigerator overload relay
- SSR overload & short circuit protecting circuit breaker
- Reverse prevention relay
- Temperature switch for compressor
- Refrigerator automatic delay circuit (built inside temperature controller)
- Absolute upper/lower temperature limit alarm (with built-in temperature controller)
- Overheat protector
- Temperature upper limit deviation alarm
- Specimen power supply control terminal
- Electrical compartment door switch

OPTIONS

Power cable

Select one instead of the standard 3 m cable.

- 5 m
- 10 m

* Excluding 380V AC.

Additional cable port

Provided in addition / replacement of the standard cable port (left side, ø50 mm).

Available location:

- Left side
- Ceiling

Available dimensions:

- ø25 mm
- ø50 mm
- ø100 mm

* Comes with a rubber plug and a cap.



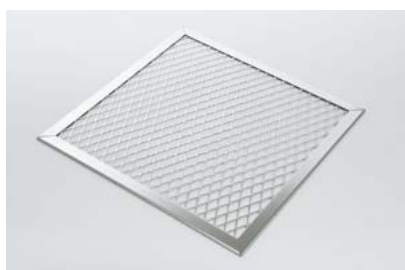
Cable port rubber plug

Prevents air leakage from the cable port.

- 50 mm

Shelf / Shelf bracket

Equivalent to standard accessory.



Shelf

Web function Ethernet port

It is an embedded server solution that allows monitoring and programming chamber via any computer, tablet computer, or other terminal.

I/O Interface

Communication ports to connect the chamber to a PC.

- RS-232C
- GPIB

Communication cables

- RS-485 5 m / 10 m / 30 m
- RS-232C 1.5 m / 3 m / 6 m
- GPIB 2 m / 4 m

Paperless recorder

Records the temperature of each section such as the temperature inside the chamber.

Data saving cycle: 5 sec.

Internal recording media:

Flash memory 4 MB

External recording media:

CF memory card port

(Includes a 256 MB CF card)

USB memory port

No. of inputs:

Temperature 1

(5 more channels can be turned ON)



Recorder

- RJ23 6 dots -100 to +100°C
- RJ25 6 dots -100 to +200°C

Temperature recorder wiring

Preparation of a power cable, temperature sensor and a grounding wire for recorder installation in the future.

Thermocouple

For measuring specimen temperature
Thermocouple type T (Copper/Copper-Nickel)

- 2 m
- 4 m
- 6 m

Alarm output terminal

If the safety device of the chamber is activated, external alarm terminal will notify it to a remote point.

Emergency stop pushbutton

Stops the chamber immediately.

* Excluding 380V AC.

Caster

Installed for mobility.

4 casters, with leveling feet



Safety precautions

- Do not use specimens which are explosive or flammable, or which contain similar substances. To do so could be hazardous, as this may lead to fire or explosion.
- Do not place corrosive substances in the chamber. If corrosive substances are generated by the specimen, the life of the chamber may be significantly shortened specifically because of the corrosion of stainless steel and copper and because of the deterioration of resin and silicon.
- Do not place living beings or substances that exceed allowable heat generation.
- Be sure to read the user's manual before operation.

ESPEC CORP. <http://www.espec.co.jp/english>

Head Office

3-5-6, Tenjinbashi, Kita-ku, Osaka 530-8550, Japan

Tel: 81-6-6358-4741 Fax: 81-6-6358-5500

ESPEC NORTH AMERICA, INC.

Tel: 1-616-896-6100 Fax: 1-616-896-6150

ESPEC EUROPE GmbH

Tel: 49-89-1893-9630 Fax: 49-89-1893-96379

ESPEC ENVIRONMENTAL EQUIPMENT (SHANGHAI) CO., LTD.

Head Office

Tel: 86-21-51036677 Fax: 86-21-63372237

BEIJING Branch

Tel: 86-10-64627025 Fax: 86-10-64627036

TIANJIN Branch

Tel: 86-22-26210366 Fax: 86-22-26282186

GUANGZHOU Branch

Tel: 86-20-83317826 Fax: 86-20-83317825

SHENZHEN Branch

Tel: 86-755-83674422 Fax: 86-755-83674228

SUZHOU Branch

Tel: 86-512-68028890 Fax: 86-512-68028860

ESPEC TEST TECHNOLOGY (SHANGHAI) CO., LTD.

Tel: 86-21-68798008 Fax: 86-21-68798088

ESPEC SOUTH EAST ASIA SDN.BHD.

Tel: 60-3-8945-1377 Fax: 60-3-8945-1287



QMS
JIS Q 9001
JSAQ 004



MS
JAB
CM001



MS
JAB
CM021



ISO 9001/JIS Q 9001

Quality Management System Assessed and Registered

ESPEC CORP. has been assessed by and registered in the Quality Management System based on the International Standard ISO 9001:2008 (JIS Q 9001:2008) through the Japanese Standards Association (JSA).

* Registration : ESPEC CORP.
(Overseas subsidiaries not included)

ISO 14001 (JIS Q 14001)

Environmental Management System Assessed and Registered

ESPEC CORP.